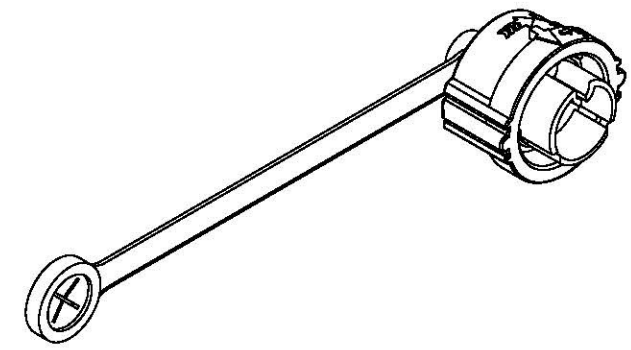
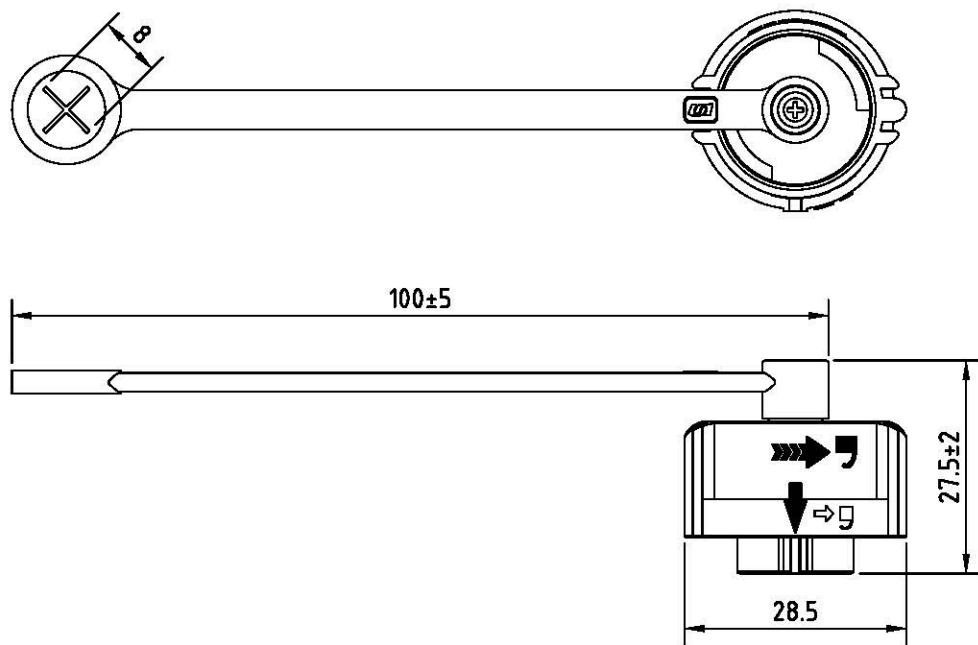


REV.	Description	Date
1	dimensions revised	2020/2/5



RoHS
TOLERANCE ±0.5

5	Screw	SUS	
4	Washer	SUS	
3	Cable tie	PVC	
2	O ring	Rubber	
1	Cap	PA	
Item	Description	Material	Treat & Remark

Allconnectors
 www.allconnectors.de
 Tel.: 0049 711 7009503
 70794 Filderstadt - Germany
 info@allconnectors.de
 Fax: 0049 711 7009504
 Kettenerstr. 25

DATE	2020/2/5	PART NO.	D365C-6C
DWN	GINA	REV.	1
CHK			
ITEM	Type J(J4): waterproof cap	UNIT	MM