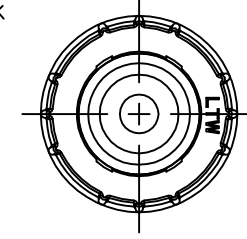
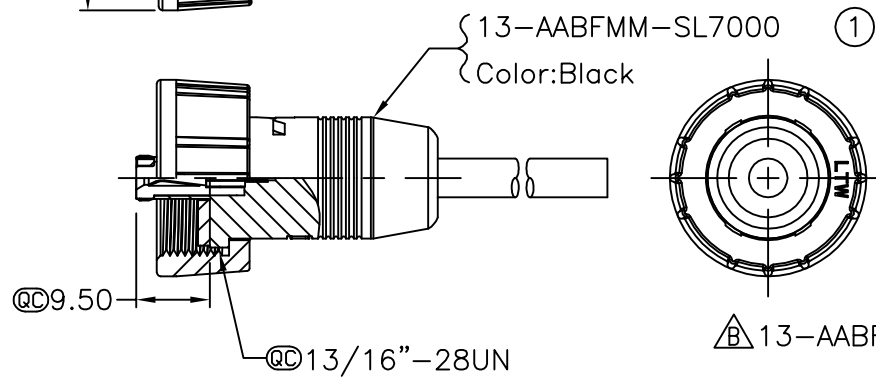
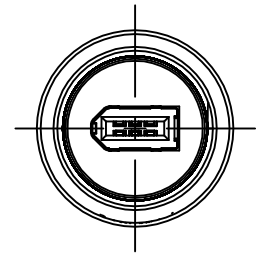
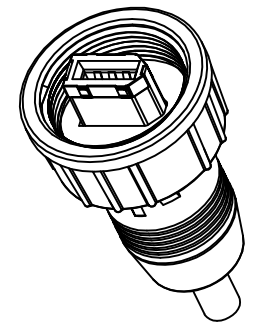
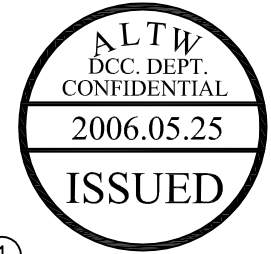
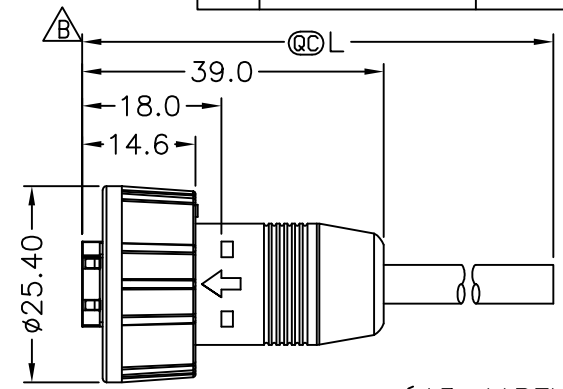
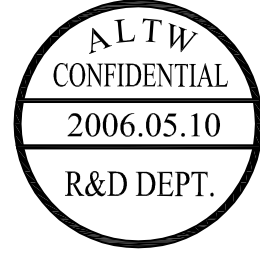
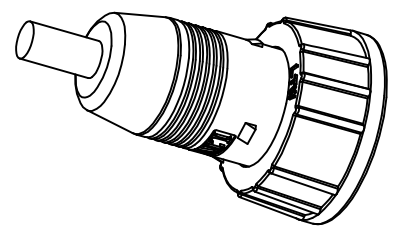
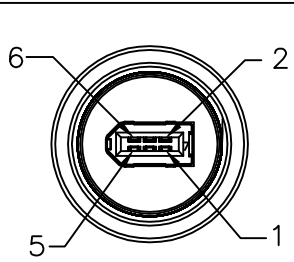


REV.	ECN NO.	DATE	SIGN	DESCRIPTION
B	LF3-650103~5	2006/05/10	DongYaLi	Change ANB152XXX01 To ANB152XXA01

THIS DOCUMENT IS SUBJECT TO CHANGE WITHOUT NOTICE. IT IS CONFIDENTIAL AND A PROPERTY OF Amphenol LTW. DISCLOSURE TO THIRD PARTY HAS TO BE AUTHORIZED BY Amphenol LTW.



XX:01~99Meter
 01:01Meter
 02:02Meters
 ...
 99:99Meters
 Cable Length(L):01~99Meters



Shell	Shell		
6	Blue 藍	TPA	
5	Orange 橘	TPA ⁺	
4	Green 綠	TPB	
3	Red 紅	TPB ⁺	
2	Black 黑	VG	
1	White 白	VP	
Conn.	Wire Color	Signal	
Pin Out			

Pin Assignments
Front View 前視圖

Note:
 * @C Important Dimension. (@C 為重點尺寸)
 * Connector: 1394, Black, PBT, UL94V-0, Copper Alloy Gold Plated
 * Cable: UL20276 (1P*28AWG+AL+B)*2 + 2C*22AWG+Tran. Mylar+AL+B), Black, OD=6.5mm
 * Cable Length Tolerance: 1M~10M±5%mm, 11M~99M±500mm.

UNIT:mm	
TOLERANCE	
.X	±0.25
.XX	±0.1
.XXX	±0.05
ANGLES	±1'

TITLE	1394 Cable Screw Female Conn Male Pin		
SCALE	Free	SHEET	1 OF 1
REV.	B	SIZE	A4
@C : Inspection Item			



ITEM NO	DRAWN BY	DATE
DWG NO	13-AABFMM-SL7AXX	DongYaLi
CUSTOMER	CHECKED BY	DATE
ALTW	Kathy Huang	2006/05/11
	APPROVED BY	DATE
	Simon Hung	2006/05/11

A B C D E F

1 2 3 4 5 6 7 8