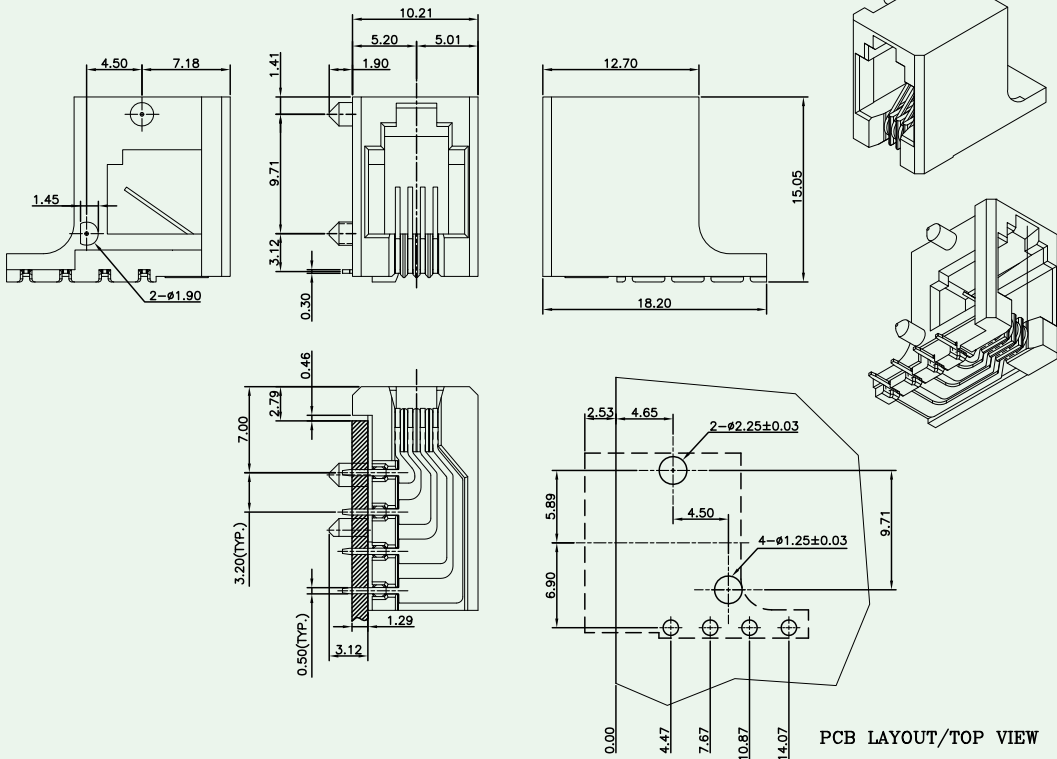


# Nortel Jack 4P4C



## Materials

- **Plastic Housing** : Engineering Thermoplastic.  
Flammability Rating UL 94V-0.
- **Contacts** : Phosphor Bronze.
- **Plating** : Gold Plating Over Nickel In Contact.  
Matted Tin Plating Over Nickel In Solder Area.

## Ordering Information

