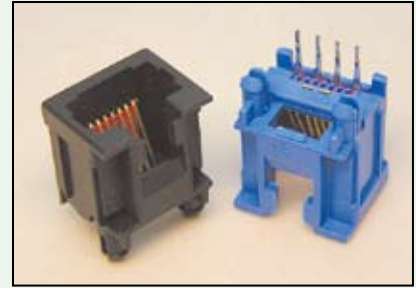
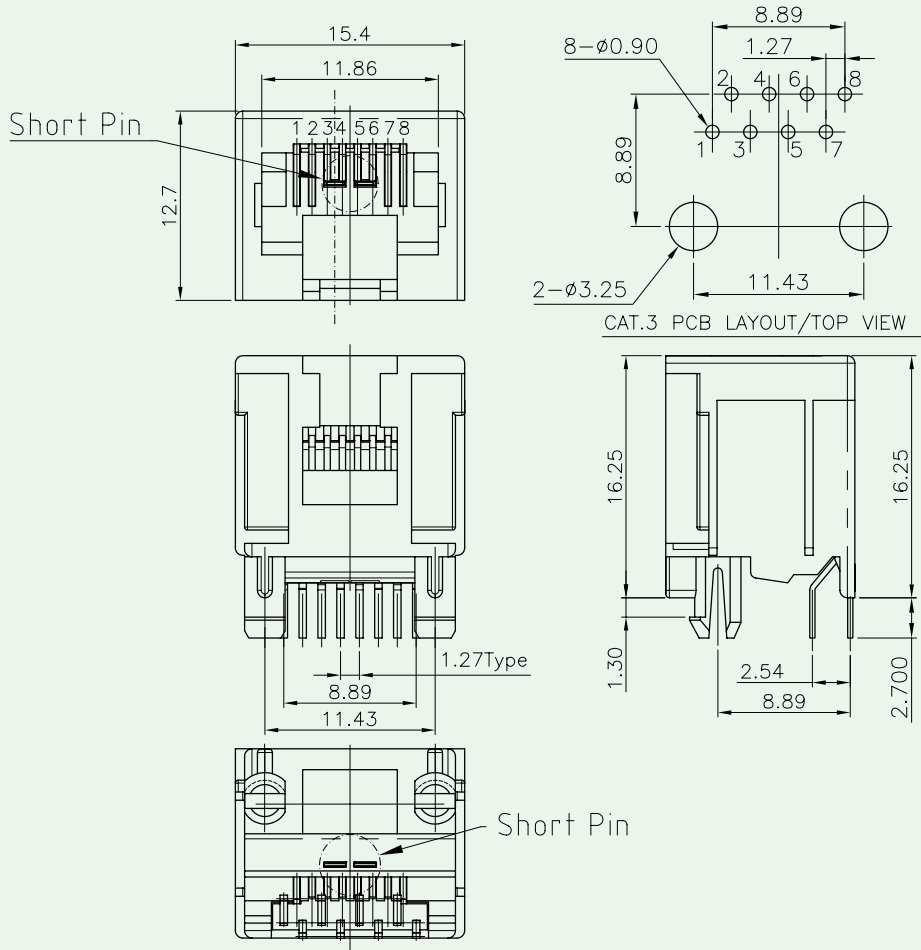


# Top Entry PCB Jack (Short 3,4 & 5,6 Pin Type)



## Materials

- **Housing** : Engineering Thermoplastic.  
Flammability Rating UL 94V-0.
- **Contacts** : Phosphor Bronze.
- **Plating** : Gold Plating Over Nickel In Contact.  
Tin Plating Over Nickel In Solder Area.

## Ordering Information

