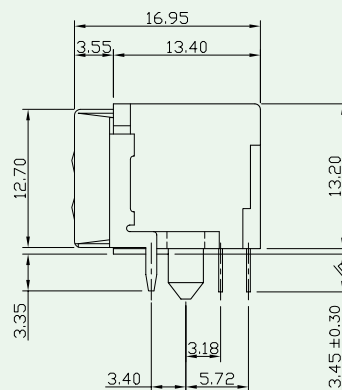
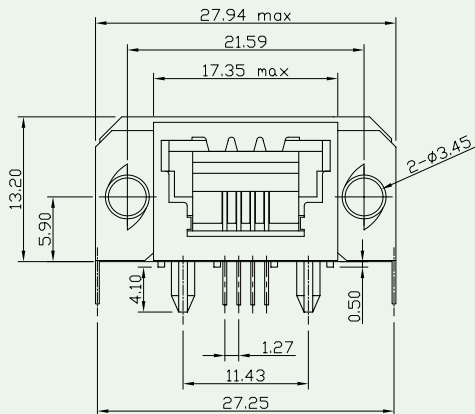
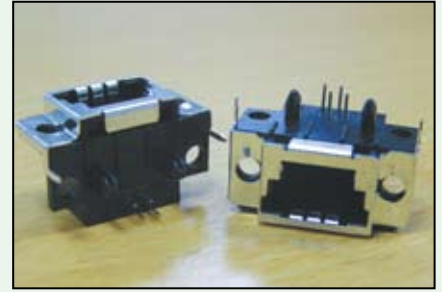
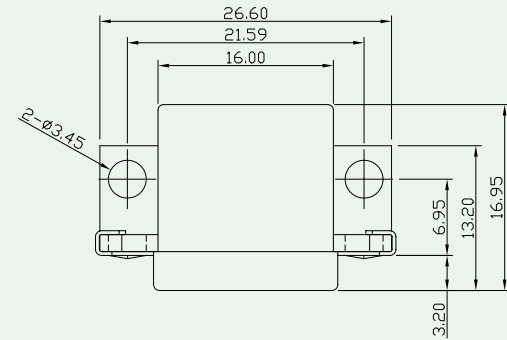
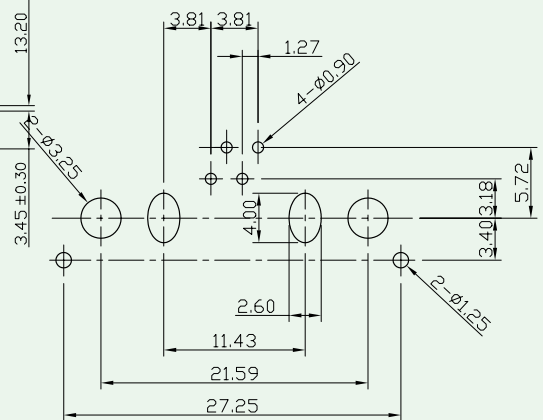


Side Entry PCB Jack (Data Link, Shielded Type)



PCB Layout / Top View



Materials

- **Shield** : Brass With Tin Plated.
- **Housing** : Engineering Thermoplastic.
Flammability Rating UL 94V-0.
- **Contacts** : Phosphor Bronze.
- **Plating** : Gold Plating Over Nickel In Contact Area.
Tin Plating Over Nickel In Solder Area.

Ordering Information

3080S - 01 4

Series No.

Single Type

No. Of Contacts

Gold Plating Options
 0 = Gold Flash
 1 = 6μ"
 2 = 15μ"
 3 = 30μ"
 4 = 50μ"