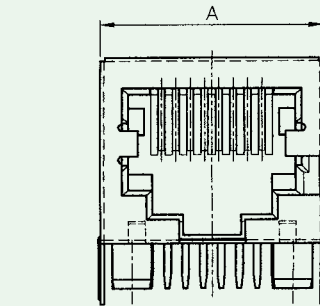
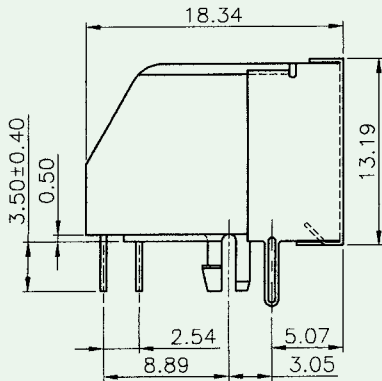
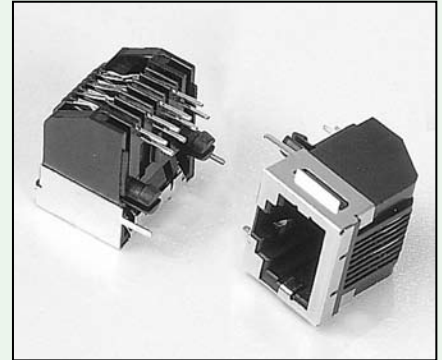
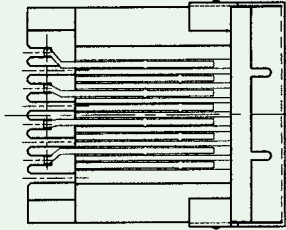
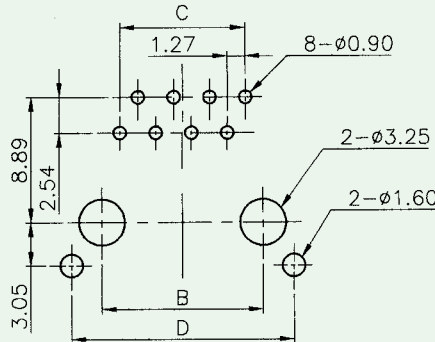
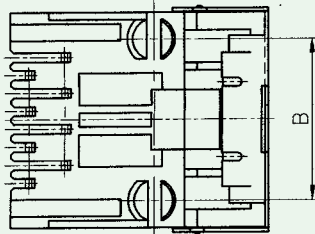


# Side Entry PCB Jack ( Low Profile, Shielded )



PCB Layout / Top View



No. of Positions	No. of Contacts	Dimensions			
		A	B	C	D
6	6/4/2	13.83	10.16	6.35	13.72
8	8/10	15.86	11.43	8.89	15.75

## Materials

- **Shield** : Brass With Nickel Plated.
- **Housing** : Engineering Thermoplastic.  
Flammability Rating UL 94V-0.
- **Contacts** : Phosphor Bronze.
- **Plating** : Gold Plating Over Nickel In Contact Area.  
Tin Plating Over Nickel In Solder Area.

## Ordering Information

