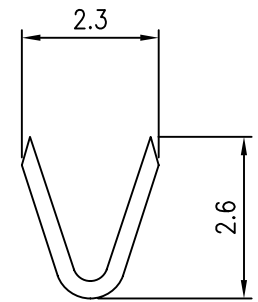
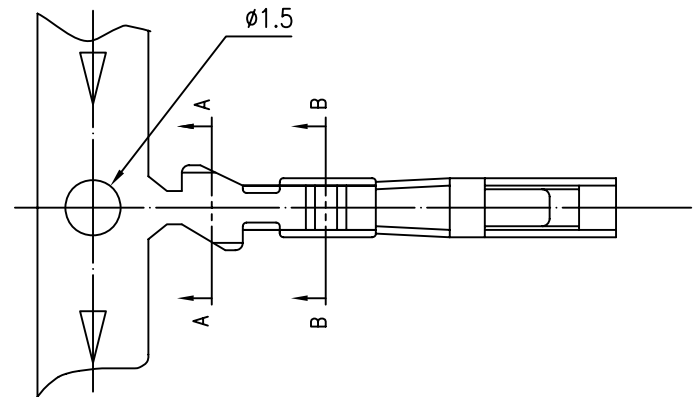
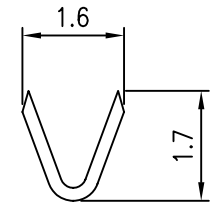
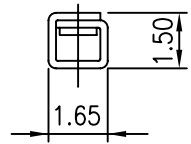
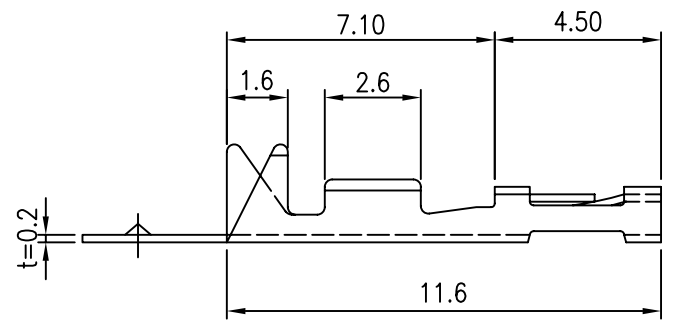


■ **TERMINAL**

- Material: Brass
- Thickness: 0.2mm
- Plating: Tin plated 60u", Gold
- Wire Range: Suitable for AWG#22~28
- Insulation O.D: 1.7mm(max)
- Recommends this terminal be used in housing having few poles
- Q'TY: 10,000 pcs/roll



A-A SECTION



B-B SECTION

PVK-TG-22-LF
LEADFREE

RoHS Compliant

Ordering Information

Part No.	Wire Range	Insulation O.D.	Material	Finish	Q'ty/roll	Note
PVK-TG-22	AWG #22~#28	1.7mm(max)	Brass	Gold Flash	10,000pcs	



PART NO. PVK-TG-22		APPROVED BY CY		TOLERANCES ARE		DESCRIPTION: 2.54mm Pitch Terminal				
DWG NO. PVK-TG-22		DRAWING BY		.X .XX .XXX AWG		AREA	REVISIONS	HK	DATE	
UNIT / mm	SCALE 1:1	PROJECTION								