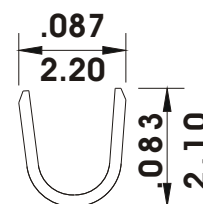
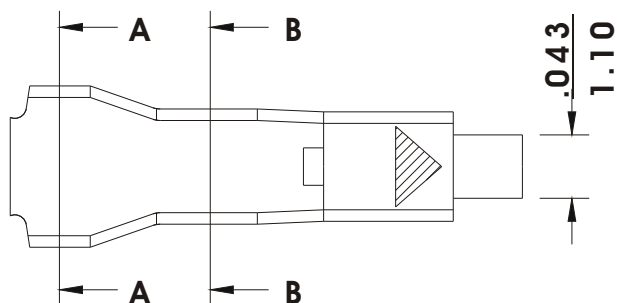


# NH Series Crimp Terminal

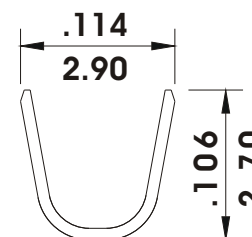
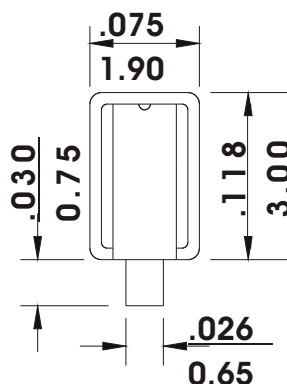
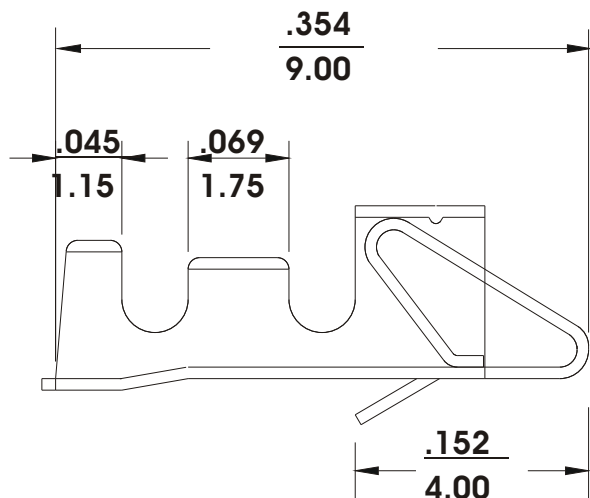
\* Material : Brass

\* Applicable wire : AWG# 28-#22

inch  
mm



B-B



A-A

NH-T-22-LF

LEADFREE

RoHS Compliant

PART NO. NH-T-22

DWG NO. NH-T-22

CHECKED BY CY

TOLERANCES ARE

DESCRIPTION: (2.5mm) Wire-to-Wire Connectors

FILE NO.

DRAWING BY

.X ± 0.2  
.XX ±  
.XXX ±  
AWG

AREA REVISIONS HK DATE

UNIT / mm

SCALE 1:1

PROJECTION

Allconnectors

www.allconnectors.eu | info@allconnectors.eu  
Tel. +49 (0)711 / 358 110 20 | Fax +49 (0)711 / 358 110 25