

NOTES:

- ① THIS CONNECTOR IS DESIGNED TO MEET THE APPLICABLE PERFORMANCE REQUIREMENTS OF IEC 61076-4-101 AND BELLCORE GR-1217-CORE
- 2 RoHS DIRECTIVE COMPLIANCE, MAX SOLDERING TEMPERATURE 225°C.
- 3 CONNECTORS ARE END STACKABLE ON A 2.0 GRID.
- ④ FOR COMPLIANT CONTACT PLATED THRU HOLE REQUIREMENTS SEE THRU HOLE PLATING VIEW. MINIMUM P.C.BOARD THICKNESS 1.57 NOMINAL.
- ⑤ OPTIONAL BOTTOM SHIELD SOLD SEPARATELY
- ⑥ NO GAP PERMISSIBLE TO PC BOARD.

SPECIFICATIONS

MATERIALS

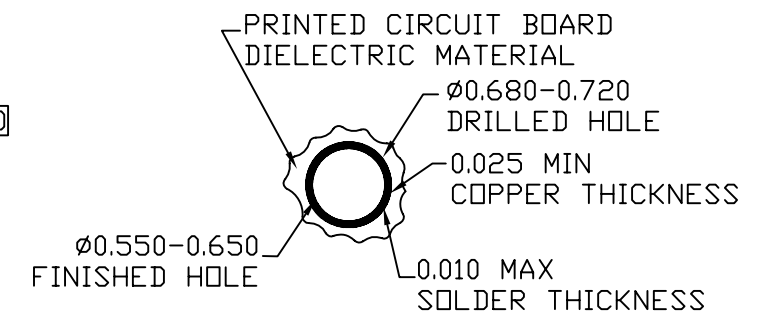
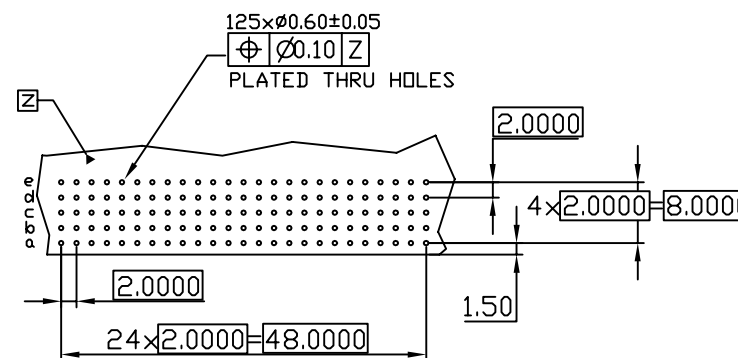
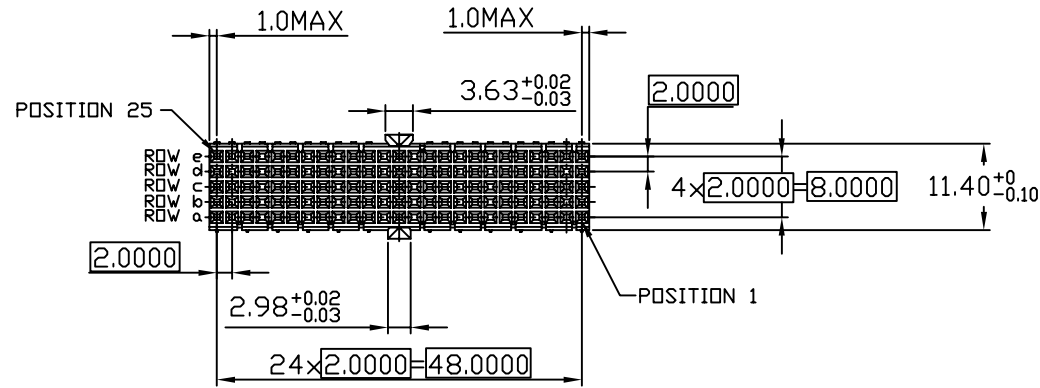
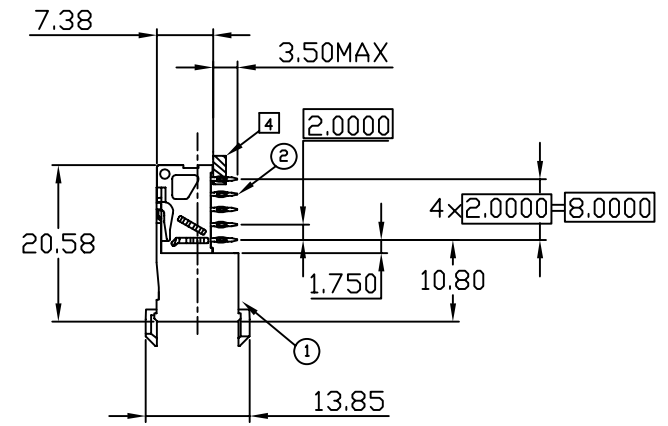
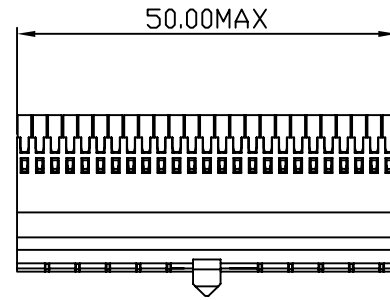
- ① Insulators: Thermoplastic Polyester, glass filled
Rated UL 94V-0, Color: Gray
- ② Pin contacts:
Copper Alloy
Finish: Mating Zone=Gold
Compliant Zone=Matte Tin
Performance Class 2= 250 cycles

PERFORMANCE CHARACTERISTICS ①

- Insulation resistance: 10,000 megohms minimum
- Dielectric withstanding voltage(at sea level): 750 Vrms
- Current rating: 1 amp @70°C, fully loaded
1.5 amp @20°C, fully loaded
- Operating temperature range: -55°C to +125°C
- Contact resistance: 20 milliohms maximum

COMPLIANT CONTACT

- Max.Insertion Force(per contact): 22.5 lbs./100 N
- Min. Retention force(per contact): 4.5 lbs./20 N



RECOMMENDED PC BOARD REQUIREMENTS
(COMPONENT SIDE BOARD SHOWN)

THRU HOLE PLATING
SCALE 10:1

D	ECR-NC0156	Modify(RoHS)	11/30'07	Seawen	Alan
REV.	ECN. NO.	DESCRIPTION	DATE	DRAWN	APPD

DESIGN UNITS ■ mm □ INCH	
GENERAL TOLERANCES: (UNLESS SPECIFIED)	
	mm INCH
4 PLACE	± 0.05 ±. ***
3 PLACE	± 0.10 ±. ***
2 PLACE	± 0.20 ±. ***
1 PLACE	± 0.30 ±. ***
ANGULAR:	X° ± *** .X° ± ***

NAME: METCON-2 SOCKET AB TYPE	All Connectors
PART NO: NX6ABAE01A0AF	
APPD: 蘇侯安 11/30'07	TITLE: CUSTOMER DWG C
CHKD: 楊海文 11/30'07	DWG. NO: C-NX6ABAE01A0AF
DRAWN: 何潔賢 11/30'07	SCALE: 1/1 SHEET: 1/1 REV.: C