

Specifications

Current Rating : 1 Amps
 Insulator Resistance : 1000 Megohms min.
 Contact Resistance : 20 m ohms max.
 Dielectric Withstanding : AC 500V
 Operating Temperature : $-40^{\circ}\text{C} \sim +105^{\circ}\text{C}$
 Contact Material : Phosphor Bronze
 Insulator Material : Polyester, UL 94V-0

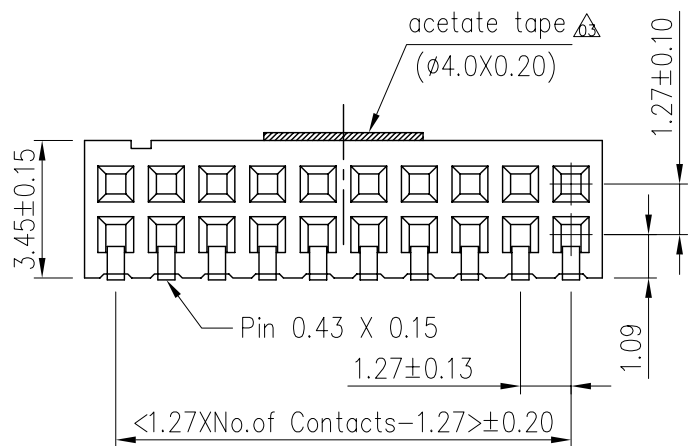
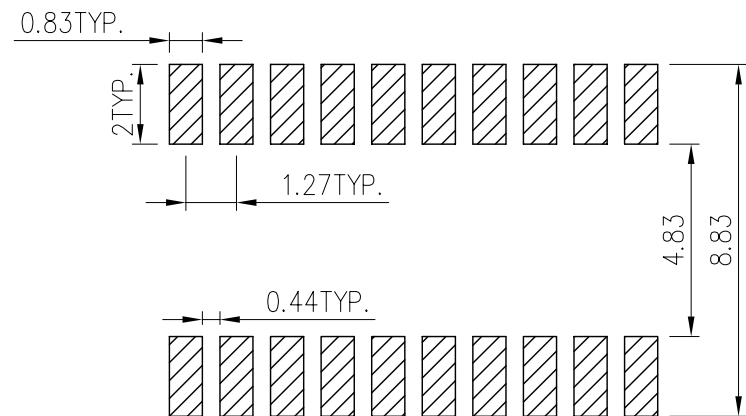
Δ LCP

Contact Plated : Full Gold, Full Tin,
 Selective Plated

All materials must meet Greenconn
 requirement for environment protection

Recommended P.C.B. Layout

(Tolerance: ± 0.10)



Ordering Information

HFIDSH6E - XX XX XXX L W X

No. of Pins Per Row: 02-40
 Standard Plating: 01=Gold Flash, 02=Gold 3U", 11=Pin, XX=Select Plating
 Pin Length: 001=7.5, XXX=Select W
 Material: L=LCP, T=6T
 Post: P=With Post, W=Without Post
 Packing: TR=Tape+Reel, T=Tube

GENERAL TOLERANCE	ANGLE TOLERANCE	DESIGN	DATE	All Connectors	
X. ± 0.38	X° $\pm 5'$	Andy2005.08.12		www.allconnectors.eu info@allconnectors.eu Tel. +49 (0)711 / 358 110 20 Fax +49 (0)711 / 358 110 25	
.XX ± 0.25	.X° $\pm 2'$	CHECK	DATE	FILE NAME (品名)	1.27MM Female Header SMT TYPE
.XXX ± 0.13	.XX° $\pm 1'$			PART NO (料号)	HFIDSH6E-XXXXXXLWX
UNIT:mm	SCALE 1:1	APPRO.	DATE	DRAWING NO.(图号)	HFIDSH6E-05
A4	SHEET: 1 of 1				REV.A0